

# Sydenham – Glenfield

## Network Control

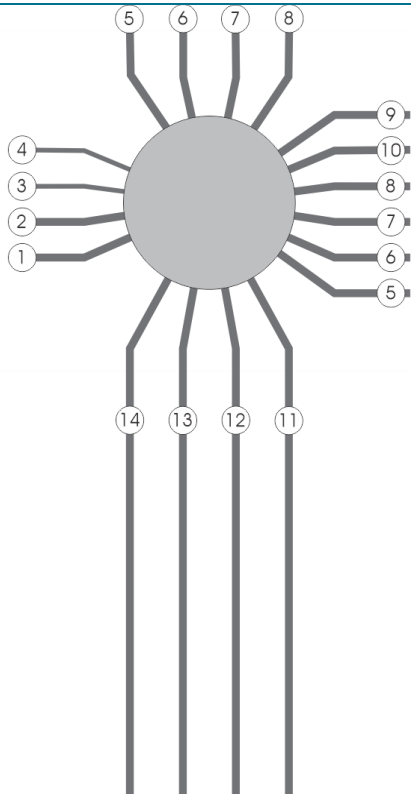
Signaller at Rail Operations Centre (ROC).

## Systems of Safeworking

The East Hills line between Sydenham and Glenfield is Rail Vehicle Detection (RVD) territory. They include the sections:

- Sydenham — Beverly Hills
- Beverly Hills — Revesby
- Revesby — East Hills
- East Hills — Glenfield.

### Diagram



### Location details

#### Sydenham 5.228km (NLA 402)

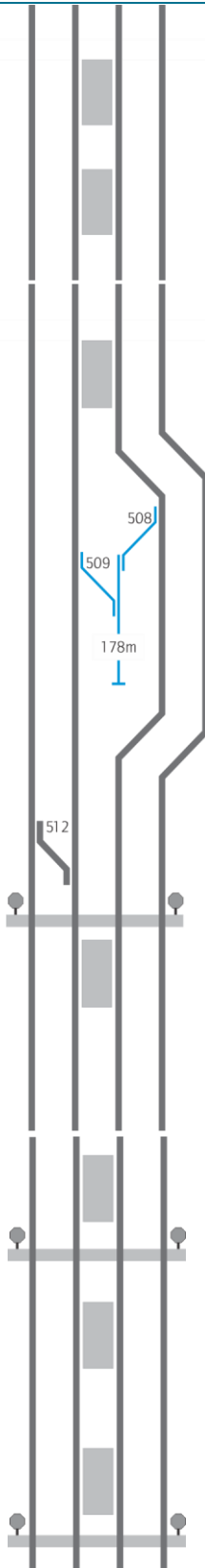


- ① Down Bankstown line (Sydenham–Sefton Park Junction)
- ② Up Bankstown line (Sydenham–Sefton Park Junction)
- ③ Down Goods line (Sydenham–Sefton Park Junction)
- ④ Up Goods line (Sydenham–Sefton Park Junction)
- ⑤ Up Illawarra Local line (Central–Sutherland)
- ⑥ Down Illawarra Local line (Central–Sutherland)
- ⑦ Up Illawarra line (Central–Sutherland)
- ⑧ Down Illawarra line (Central–Sutherland)
- ⑨ Up Airport line (Central–Sydenham)
- ⑩ Down Airport line (Central–Sydenham)
- ⑪ Down Main line
- ⑫ Down Local line
- ⑬ Up Local line
- ⑭ Up Main line

# Sydenham-Glenfield

**Diagram**

**Location details**



- █ 10.015km Bardwell Park. Platform 1 and 2
- █ 11.302km Bexley North. Platform 1 and 2

**Beverly Hills 14.525km**

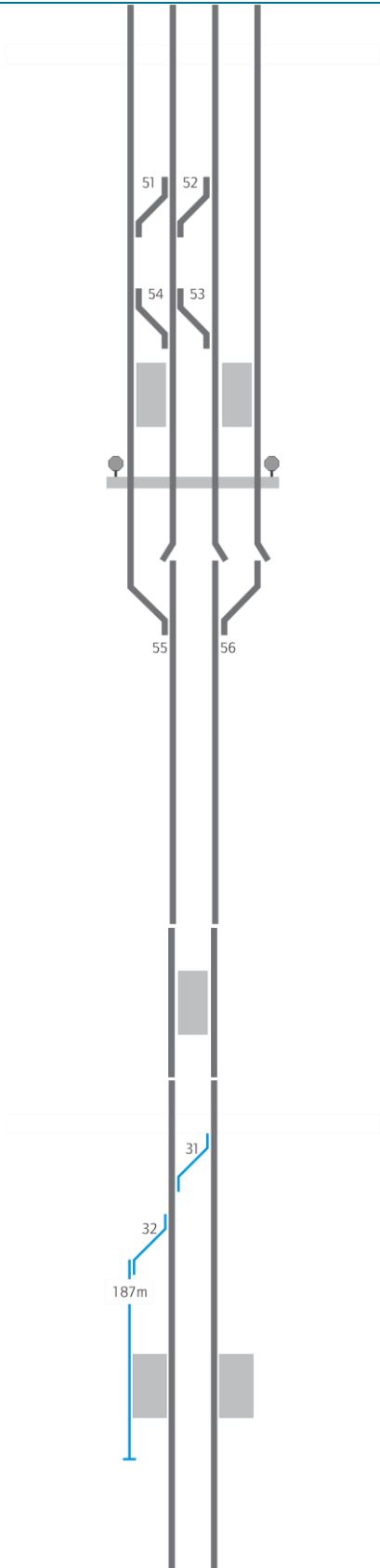


- ! Controlled from ROC
- YL 12.053km Down Local line: Down signal SM435DL
- EYL 12.525km Up Local line: Up signal L12.6
- █ 12.540km Kingsgrove. Platform 1 and 2
- 508 Down Local line to Turnback road
- 509 Up Local line to Turnback road
- YL 13.408km Down Main line: Down signal SM441DM
- EYL 13.747km Up Main line: Up signal M13.8
- 512 Up Local line to Up Main line (**Spiked, clipped and XL locked in the normal position and BOOKED OUT OF USE**)
- 14.296km Network access
- █ 14.525km Beverly Hills. Platform 1 and 2
- EYL 14.890km Down Main line: Down signal M 14.9
- EYL 14.890km Down Local line: Down signal L 14.9
- YL 15.198km Up Main line: Up signal SM454
- YL 15.198km Up Local line: Up signal SM452

- █ 15.705km Narwee. Platform 1 and 2
- 16.128km Network access
- █ 17.420km Riverwood. Platform 1 and 2
- █ 19.265km Padstow. Platform 1 and 2
- 19.637km Network access

# Sydenham-Glenfield

## Diagram



## Location details

### Revesby 20.885km



- ! Controlled from ROC
- 19.488km Down signal RY1
- 20.570km Down signal RY11
- 20.042km Up signal M 20.2
- 20.042km Up signal L 20.2
- 51 Up Main line to Up Local line
- 52 Down Local line to Up Local line
- 53 Up Local line to Down Local line
- 54 Up Local line to Up Main line
- 20.885km Revesby. Platforms 1 and 2, 3
- 21.208km Network access
- 55 Up East Hills line to Up Main line. Up East Hills line ends
- 56 Down Main line to Down East Hills line. Down Local and Down Main lines end
- ! Catch point on the Down Main line are normally in reverse
- 22.340km Up signal RY32
- 22.648km Down signal EH14.07

- 22.470km Panania. Platform 1 and 2

### East Hills 23.939km

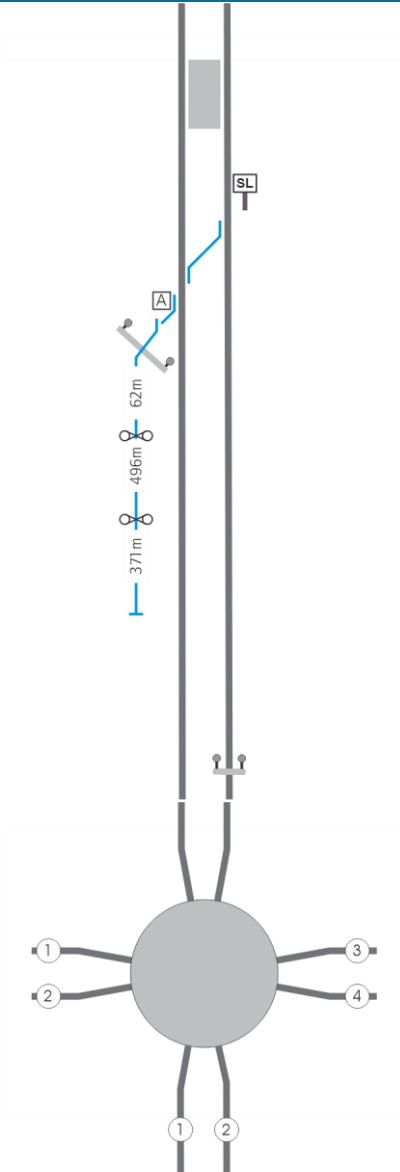


- ! Controlled from ROC
- 23.158km Down signal EH1
- 23.182km Up signal EH14.42
- 31 Down East Hills line to Up East Hills line
- 32 Up East Hills line to Terminating road
- 23.939km East Hills. Platforms 1 and 2, 3
- 24.152km Down signal EH15.05
- 25.700km Up signal EH14.00

# Sydenham-Glenfield

## Diagram

## Location details



### Holsworthy 26.677km



- 26.677km Holsworthy. Platform 1 and 2
- SL 29.063km Up SHUNT LIMIT sign
- A 29.530km Down East Hills line to Up East Hills line, operated from frame A lever 7. Up East Hills line to Moorebank siding, operated from frame A lever 2: key from releasing switch, released by track-circuits
- ! See Special instructions
- ! The siding is unwired
- 29.631km Access road
- 31.941km Network Access crossing

### Glenfield 41.840km (NLA 500)



- ① Down Main South line (Lidcombe–Campbelltown)
- ② Up Main South line (Lidcombe–Campbelltown)
- ③ Down Leppington Main line
- ④ Up Leppington Main line

## Special instructions

### Moorebank siding

#### Work on track

When work on track is to be carried out in Moorebank siding, the procedures below must be followed:

#### Authorisation

Only the Network Controller may authorise work on track in Moorebank siding.

## Sydenham-Glenfield

### Protection Officer

Make sure that rail traffic within the siding will not move without authorisation.

Tell the Network Controller:

- your name and contact details, and
- give the name of the siding and ground frame designation, and
- the type of work to be done, and
- the intention to clip the relevant points, and
- the intended start and finish times
- when applicable, that rail traffic within the siding will not move without authority.

### Network Controller

Make sure that rail traffic not associated with the work is not scheduled to enter the siding during the work on track times.

### Signaller

When authorised, advise the Protection Officer to commence work.

### Network Controller and Signaller

Record, in permanent form, all information about the authorisation of work on track in the siding.

### Protection Officer

When permission is received to allow work on track to commence:

- clip and lock the points to prevent unauthorised rail traffic access to the siding.



### Warning

Work within the sidings must not commence until the points have been clipped and locked

## Sydenham-Glenfield

---

### Returning the siding to service

#### Protection Officer

Make sure that:

- all equipment is clear of the line
- all workers have cleared the worksite
- the line is certified fit for service
- the point clip and SL lock has been removed, then
- tell the Network Controller that the work is completed, and about any restrictions on track use.

---

### Related documents

<i>NLA 402</i>	<i>Sydenham</i>
<i>NLA 500</i>	<i>Lidcombe-Campbelltown</i>
<i>NLA 512</i>	<i>Glenfield-Leppington</i>
<i>NLA 514</i>	<i>Leppington</i>

---

### Effective date

22 November 2021